



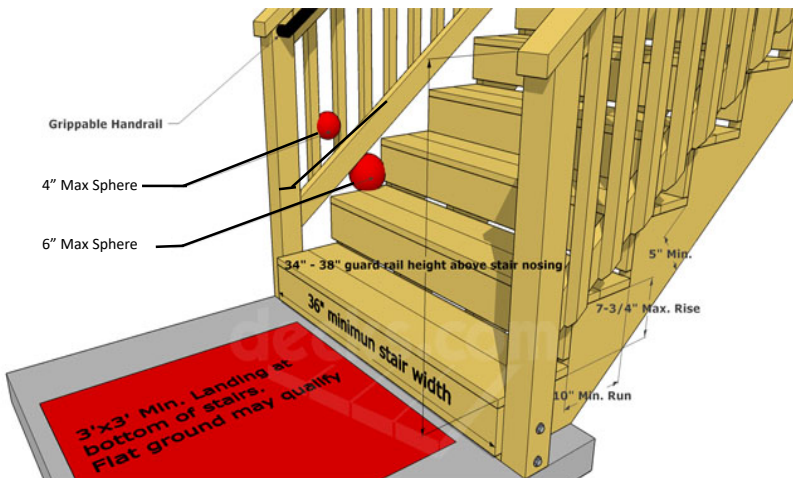
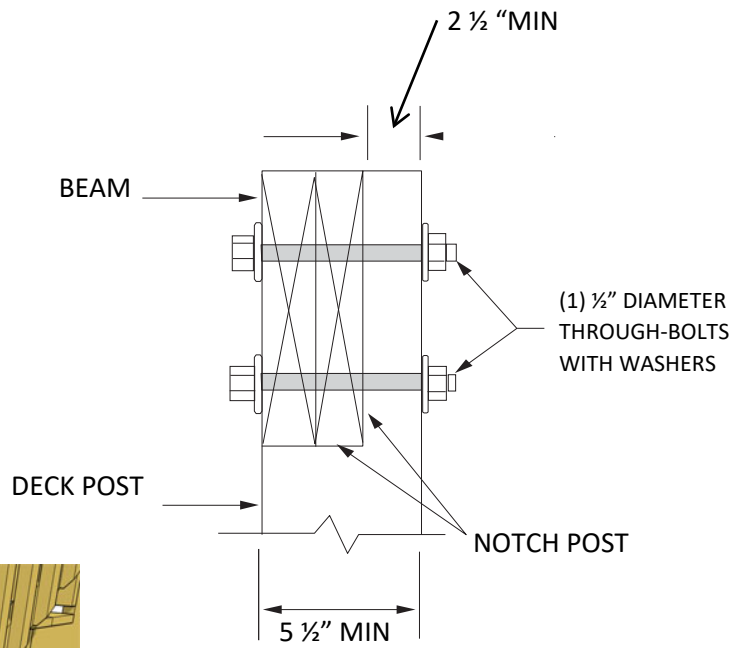
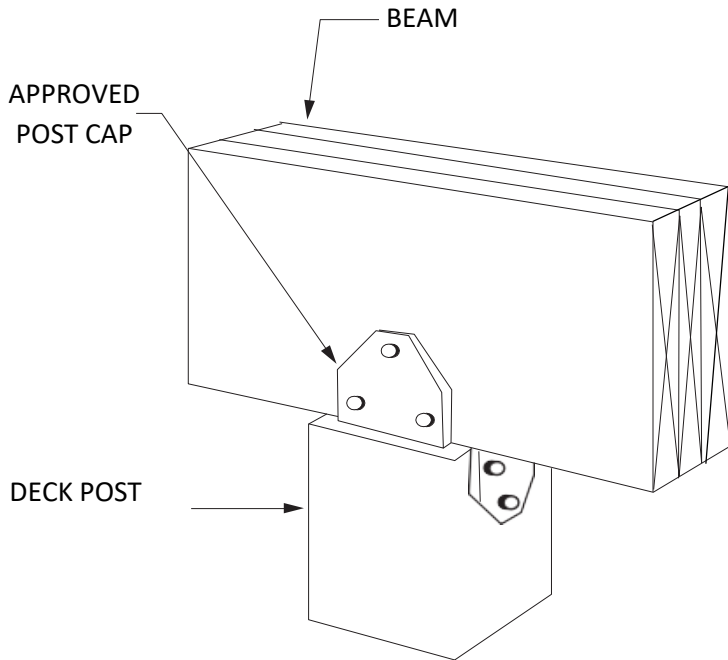


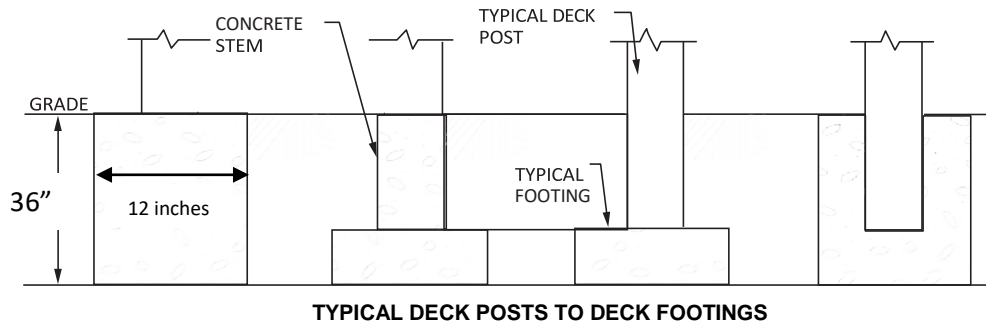






## DECK BEAM TO POST CONNECTIONS





A building permit is not required if your deck, porch, or patio meets **ALL** four (4) of the following requirements:

- Not exceeding 200 square feet in area.
- Not more than 30 inches above grade at any point, even 3 feet beyond the edge of the deck.
- Not attached to the dwelling/structure.
- Not serving an egress door.

A permit is required if **you do not meet** all of the four (4) above items even if you are replacing/fixing a porch or patio with materials other than concrete or pavers.